

KeContact P30

OCPP



Specifications

Output:	4.6 kW / 7.4 kW / 11 kW / 22 kW
Energy meter (LED display):	Optional
OCPP backend:	Optional
Local load management:	Master / slave
Current monitoring:	Depending on the charging cable sizing
UDP:	Optional
External meter (integration through Modbus):	Optional
Color variants:	<ul style="list-style-type: none">• RAL 7004 (signal gray) / RAL 7016 (anthracite gray)• RAL 9010 (pure white) / RAL 7016 (anthracite gray)

General

Charge mode:	Mode 3 in accordance with IEC 61851-1 AC charging
Overvoltage category:	III in accordance with EN 60664
Protection class:	I
Protection class:	IP54
Protection against mechanical impact:	IK08 (except for cylinder lock)
Rated short-time withstand current:	< 10 kA effective value in accordance with EN 61439-1
Internal direct fault current monitoring (RDC-DD):	≥ 6 mA

Power supply

Power consumption e-series



Rated supply voltage (Europe):	230 V
Power consumption:	Idle: 2 W, Plugged: 3 W, Charging: 5.5 W
Rated current (configurable):	10 A / 13 A / 16 A / 20 A / 25 A / 32 A 1-phase
Line frequency:	50 Hz
Mains forms:	TT / TN / IT

Power consumption b-series / c-series



Rated supply voltage (Europe):	3 x 230 V / 400 V
Power consumption:	Idle: 3 W, Plugged: 4.5 W, Charging: 6.5 W
Rated current (configurable):	10 A / 13 A / 16 A / 20 A / 25 A / 32 A 1-phase or 3-phase
Line frequency:	50 Hz
Mains forms:	TT / TN / IT

KeContact P30



Power consumption x-series

Rated supply voltage (Europe):	3 x 230 V / 400 V
Power consumption:	Idle: 4 W, Plugged: 5 W, Charging: 7 W
Rated current (configurable):	10 A / 13 A / 16 A / 20 A / 25 A / 32 A 1-phase or 3-phase
Line frequency:	50 Hz
Mains forms:	TT / TN / IT

Supply terminals

Type:	Spring-type terminal
Cable feed:	Top (surface), back side (flush)
Connection cross-section of the supply:	Minimum cross-section (depending on the cable and the type of installation)
• 16 A rated current:	5 x 2.5 mm ²
• 32 A nominal current:	5 x 6.0 mm ²
Cross section:	
• Rigid / flexible:	0.2 – 16 mm ²
• Flexible with wire end sleeve with / without plastic sleeve:	0.25 – 10 mm ²
AWG:	24 – 6
Stripping length:	12 mm
Temperature rating:	105 °C

Cable / Socket

Cable versions: (For rating, see rating plate on the cable)	<ul style="list-style-type: none">• Type 1 cable: up to 32 A / 230 V AC in accordance with EN 62196-1 and SAE-J1772• Type 2 cable: up to 32 A / 400 V AC in accordance with EN 62196-1 and VDE-AR-E 2623-2-2
Socket variants:	<ul style="list-style-type: none">• Type 2 standard socket: 32 A / 400 V AC in accordance with EN 62196-1 and VDE-AR-E 2623-2-2• Type 2 standard socket: 32 A / 400 V AC in accordance with EN 62196-1 and VDE-AR-E 2623-2-2 with Shutter

Ambient conditions

Use:	Inside and outside area
Installation (stationary):	On the wall or on a floor-mounted column.
Operating temperature:	
• 16 A:	-25°C to + 50°C (without direct sunlight)
• 32 A:	-25 °C to +40 °C (without direct sunlight)
Storage temperature:	-25°C to + 80°C
Relative air humidity:	5 % to 95 % (non condensing)
Altitude:	max. 2000 m above sea level

KeContact P30

Rate of temperature change:	max. 0.5°C / min
Temperature behavior:	Automatic power reduction if overheating occurs

Interfaces



Ethernet interface

Ethernet1:	LSA+® terminals
Data transfer rate:	10/100/1,000 Mbit/s
Ethernet2:	RJ45 (for debug)



USB interface

Type:	A, USB 2.0 (Hi-Speed)
Max. output power:	500 mA

Enable input

Type:	External, potential-free switch contact
Type of terminal:	Spring-type terminal
Cross section:	0.08 – 4 mm ²
AWG:	28 – 12
Stripping length:	8 mm

Switch contact output

Type:	External safety extra-low voltage, <50 V AC, 50/60 Hz
Necessary current limitation:	<0.5 A
Type of terminal:	Spring-type terminal
Cross section:	0.08 – 4 mm ²
AWG:	28 – 12
Stripping length:	8 mm

Options



GSM

Type:	3G / UMTS
-------	-----------

SIM card

Size:	Mini-Sim (2FF)
Type:	Industrial/M2M recommended



RFID card

Type:	MIFARE card / tag according to ISO 14443 or ISO 15693
-------	---



Key-operated switch

Type:	Profile half cylinder according to EN 1303 or DIN 18252
Length:	30 mm

KeContact P30



WLAN / Wifi

Type:	IEEE 802.11 b,g,n, 2.4 GHz
Supported modes:	AP Ad-hoc-Mode, Client Mode

Certifications



MID

Z.E.
Ready

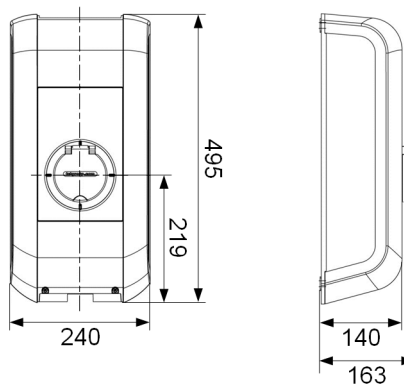
EV
Ready

CE Declaration of Conformity:	Yes
MID:	Optional
• Accuracy class:	Class B (according to EN 50470-1 / -3)
Z.E. Ready:	Optional
EV Ready:	Optional

Dimensions and weight

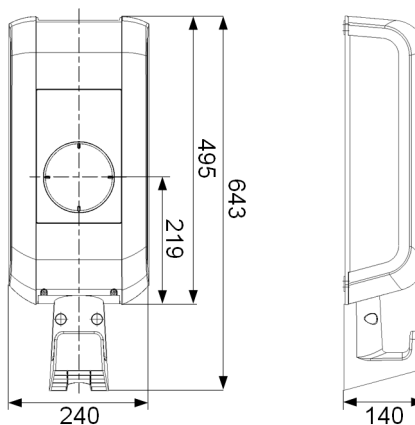
Version with standard socket (Type 2)

Height / Width / Depth:	495 mm / 240 mm / 163 mm
Weight:	Approx. 4.8 - 5 kg (depending on device version)



Version with charging cable and holder

Height / Width / Depth:	643 mm / 240 mm / 140 mm
Weight:	Approx. 5.3 - 7.8 kg (depending on device version)



KeContact P30

Note

This data sheet lists various design options for the charging station. The actual design of the charging station depends on the variant.